

# TEAC

## SERVICE MANUAL

---

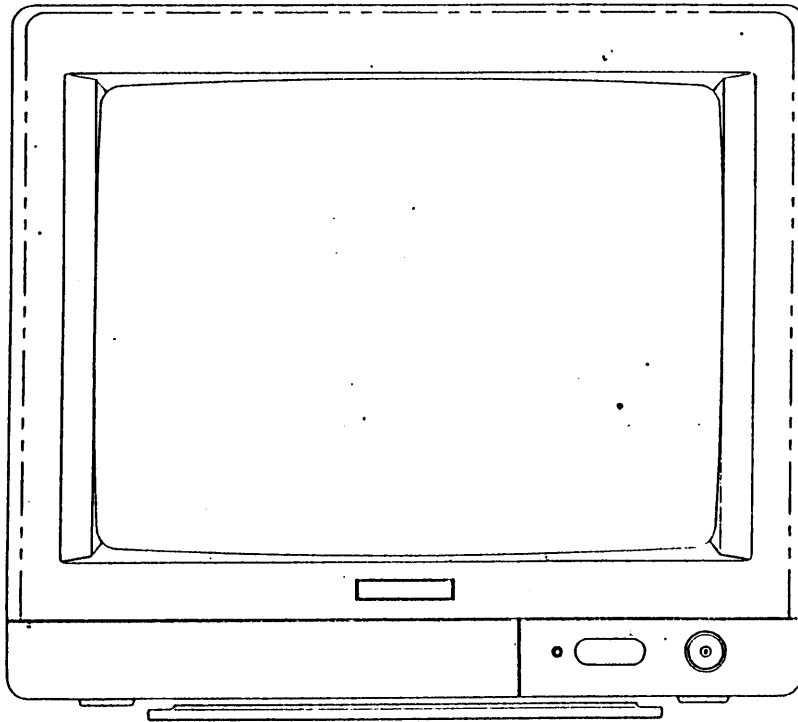
# CTM341MK2

14'' CTV

---

# SERVICE MANUAL

SOLID STATE  
14" Color Television  
Receiver



MODEL : GT-9313

CTM 341 MK 2

PAL - BG/FTZ

SPECIFICATION

SYSTEM	:	PAL - BG/FTZ			
		----- TV SECTION -----			CATV.
CHANNEL COVERANGE	VHF LOW	:	2-4	CH.	Y-S1 CH.
	VHF HIGH	:	5-12	CH.	S2-S20 CH.
	UHF	:	21-69	CH.	
FREQUENCY RANGE	VHF LOW	:	47-68	MHz	75-111 MHz
	VHF HIGH	:	174-230	MHz	111-300 MHz
	UHF	:	470-862	MHz	
VISION/SOUND SEPARATION		:	5.5	MHz	
FREQUENCY VIDEO IF		:	38.9	MHz	
	SOUND IF	:	33.4	MHz	
SENSITIVITY	VHF LOW	:	47	dBuV	
(AT 30dB S/N)	VHF HIGH	:	47	dBuV	
	UHF	:	50	dBuV	
SCANNING LINES		:	625	lines	
	HORIZONTAL	:	15625	Hz	
	VERTICAL	:	50	Hz	
OUTPUT POWER MAXIMUM		:	1300	mW	
	10% THD	:	1000	mW	
C R T .		:	14" DIAGONAL, 90 DEGREES DEFLECTION ANGLE		
SPEAKER		:	3" 16 OHM 2W		
ANTENNAL EXTERNAL		:	75	OHM	
POWER CONSUMPTION		:	60	WATTS	

# VIF ALIGNMENT

## A. Preparation Step (See Fig. 1)

- (i) Connect AGC bias voltage to TP101, the DC supply should be turned off this time.
- (ii) Connect 14V B+ bias voltage to D404 (-) and Ground.
- (iii) Connect 14V B+ to Q401 'C'.
- (iv) Connect sweep generator to tuner test point and Ground.
- (v) Connect waveform detector to TP106 and Ground.

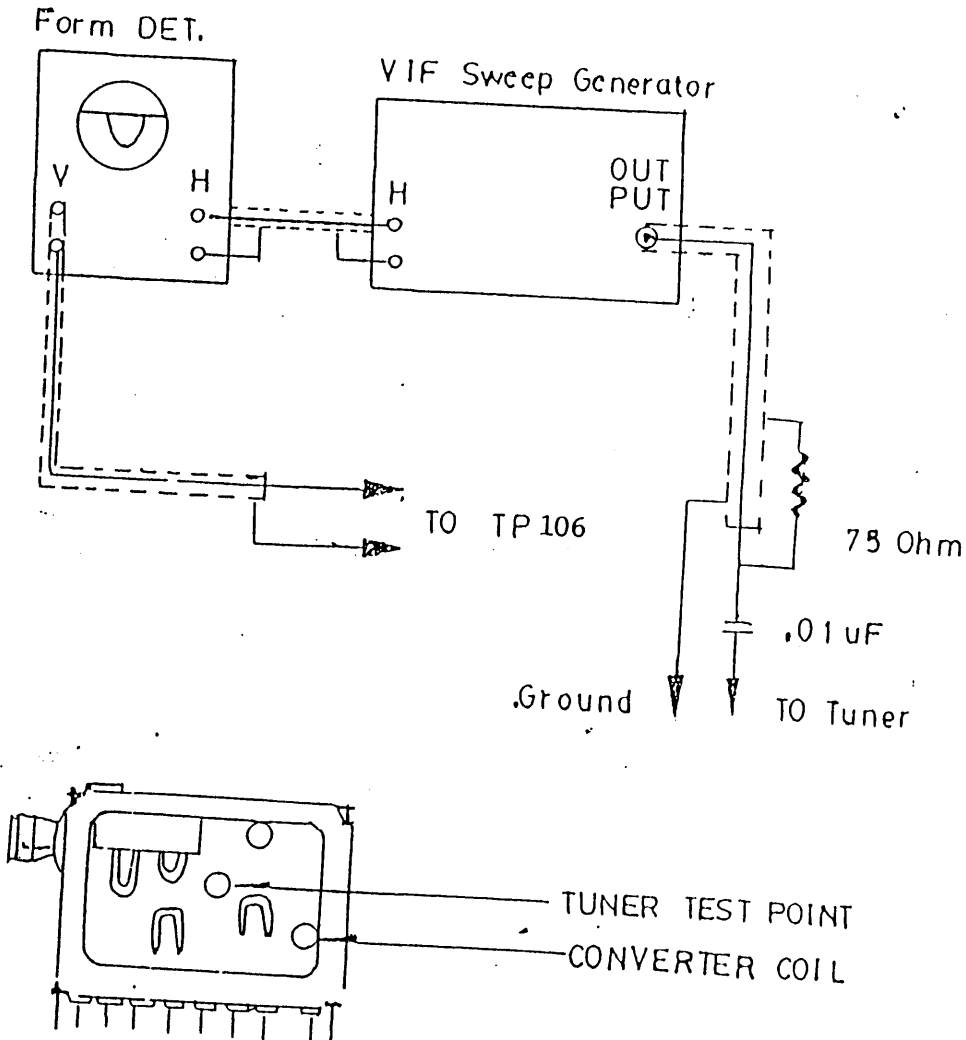


Fig.1

B. Tank Coil Alignment Step (See Fig. 2)

- (i) Calibrate the Division of waveform Detector equal to 100 mV per div.
- (ii) The output of sweep generator should be -50dB.
- (iii) Adjust AGC bias until the output waveform equal to 1V p.p. (10 div.)

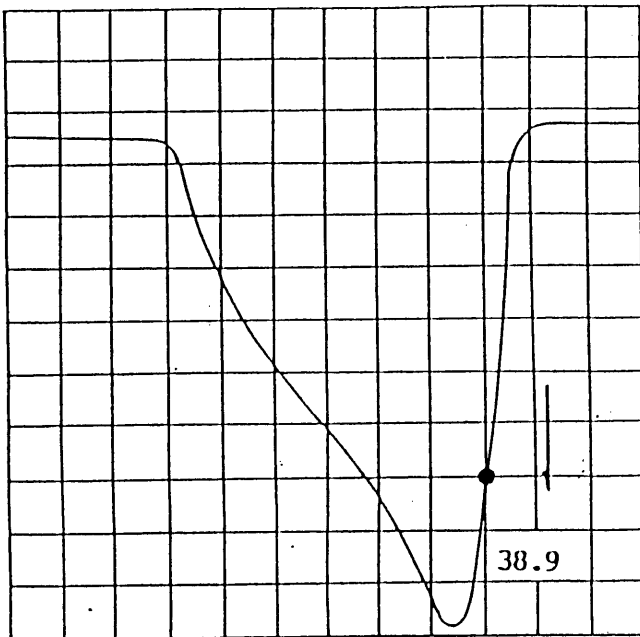


Fig. 2

- (v) Turn T101 until the marker 38.9MHz falls to the lowest point as Fig.2.

### C. VIF Alignment

- (i) Connect 100 ohm resistor between TP103 and TP104.
- (ii) Adjust T104 until obtain the maximum waveform amplitude. (If Provided.)
- (iii) Adjust AGC bias, and maintain the waveform achieve 1V pp.

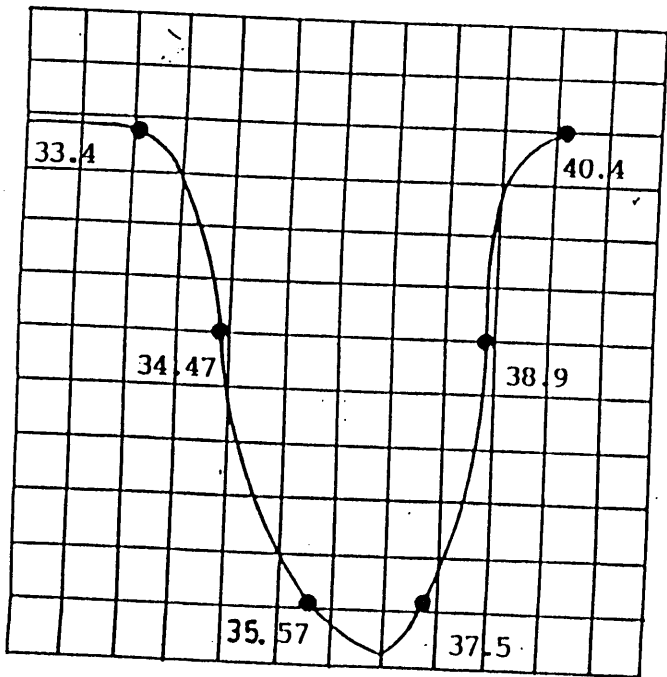


Fig.3

D. AFC Alignment

- (i) Remove the 100 ohm resistor from TP103 and P104.
- (ii) Connect Philips Pattern Generator to tuner test point (IF PIN) and Ground (Frequency is 38.9 MHz color bar).
- (iii) Connect digital multimeter to TP102.
- (iv) Adjust T103 to obtain a DC4V  $\pm 0.1V$ .

## B. SIF Alignment

- (i) Connect the sweep generator to TP105.
- (ii) Connect waveform detect to TP106.
- (iii) The output of sweep generator should be  $-20\text{dB}$ .
- (iv) Adjust T102 to obtain the waveform as Fig.5.

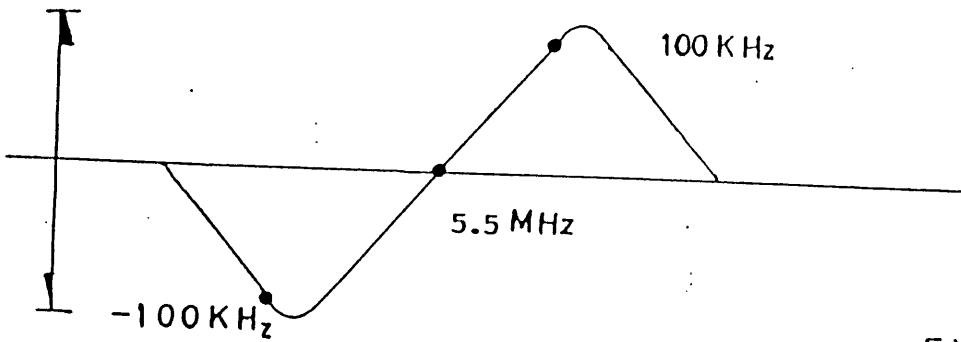


Fig.5



#### B+ ADJUSTMENT

- 1) Connect a digital volt meter to TPB+ and ground.
- 2) Set Brightness, contrast and colour to maximum.
- 3) Adjust VR901 and obtain a reading of 112V.

#### HORIZONTAL CIRCUIT ADJUSTMENT

- 1) Receive Monoscope Pattern input signal 80dBuV.
- 2) Connect terminal 20 PIN of IC401 and the ground with the Mylar Cap. 0.1 MFD.
- 3) Adjust VR404 to obtain the picture running at center.
- 4) Adjust VR405 to obtain the picture at center.

#### VERTICAL HOLD ADJUSTMENT

- 1) Receive the Monoscope Pattern.
- 2) Connect a digital voltage meter to IC401 PIN "2" and ground.
- 3) Adjust (VR401) and obtain a reading of  $2.4V \pm 0.05V$  DC.

#### VERTICAL CIRCUIT ADJUSTMENT

- 1) Receive the Monoscope Pattern.
- 2) Adjust V-size (VR402) to obtain a normal picture.

#### SUB-BRIGHTNESS ALIGNMENT

- 1) Receive a color bar pattern.
- 2) Turn the brightness, contrast and color to minimum.
- 3) Connect a digital voltage meter to TP301 and ground.
- 4) Adjust (VR303) and obtain a reading of  $1.8V \pm 0.05V$  DC.

#### WHITE BALANCE ALIGNMENT STEP

(deguss the picture by deguassing coil if necessary)

- 1) Turn the brightness, contrast and picture control to minimum value.
- 2) Turn VR501,502,504 to middle position. Turn VR503,505 to middle position.
- 3) Receive a black and white pattern.
- 4) Adjust screen volume on FBT until the brightest bar can just be seen.
- 5) Adjust VR501,504,503,505 to make the picture uniformly white.  
(9300° K)

#### FOCUS ALIGNMENT

- 1) Set the brightness and contrast to middle position.
- 2) Receive a monoscope pattern.
- 3) Adjust focus control to obtain sharpest picture.

#### AGC ALIGNMENT

- 1) Receive CH69 (UHF) and input field strength in  $63dB \pm 3dB$  input.
- 2) Adjust VR101 to the point where noise is disappeared.

## PAL COLOUR ALIGNMENT

- (1) Receive Philips Pattern.
- (2) Connect Oscilloscope to T301.
- (3) Set color control to maximum position.
- (4) Adjust T301 and VR302,307 to obtain the waveform as Fig.6.
- (5)

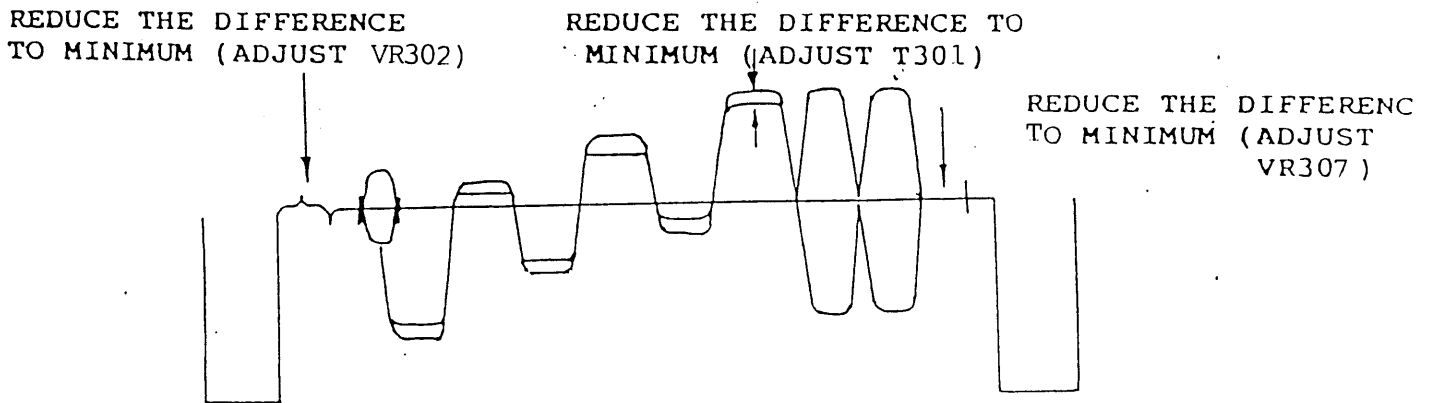


Fig.6

VOLTAGE TABLE FOR IC

SYMBOL PIN NO.	IC 101 (V)	IC 201 (V)	IC 301 (V)	IC 401 (V)	
1	0.49	GND	2.7-3.6	8.72	
2	3	7.1	6.8	2.2	
3	8.5	15	2.8	25	
4	GND	14.65	1.2	8	
5	3.6	1.15	1.6-2	GND	
6	3.6	6.8	2	GND	
7	GND	3-7.15	8.5	0.5	
8	2.6	2.75	2.6	0.17	
9	3	GND	1.5-4.5	25	
10	5.9		2.6	13.5	
11	2.9		GND	4.56	
12	2.9		2.1	4.51	
13	GND		6.25	2.17	
14	2.9		3.45	2.35	
15	6		GND	GND	
16	3.2		4.3	GND	
17	0.1		3.56	1.47	
18	4.7		3.49	1.46	
19	4.7		3.37	1.21	
20	3.5		8.5	2.2	

NOTE: VOLTAGE ARE TAKEN UNDER TUNED CONDITION WITH

- CONTRAST : Maximum Position
- BRIGHTNESS : Maximum Position
- COLOR : Maximum Position
- SIGNAL INPUT : 80 dBuV
- CHANNEL SETTING : The Last Channel of UHF High
- SIGNAL PATTERN : Colour Bar

VOLTAGE TABLE FOR IC

SYMBOL		IC 601	IC 701		
PIN NO.		(V)	(V)		
1		0	0		
2		0	2.6		
3		0	2.6		
4		0	2.6		
5		4.7	2.6		
6		4.7	2.6		
7		4.7	2.6		
8		4.7	2.6		
9		4.7	2.6		
10		GND	0		
11		0.5	2.6		
12		0.5	0		
13		0.5	0		
14		0.18	0		
15		2.5	0		
16		GND	0		
17		4.4	0		
18		5.46	0		
19		4.4	0		
20		GND	2.6		
21		4.4			
22		4.4			
23		4.4			
24		4.7			
25		1.8			
26		2.6			
27		4.7			
28		4.7			
29		0			
30		0.2			
31		0.2			
32		0.2			
33		4.2			
34		4.7			
35		0			
36		0-4.6			
37		0-2.3			
38		0-2.6			
39		4			
40		4.7			

NOTE: VOLTAGE ARE TAKEN UNDER TUNED CONDITION WITH

- CONTRAST : Maximum Position
- BRIGHTNESS : Maximum Position
- COLOR : Maximum Position
- SIGNAL INPUR : 80 dBuV
- CHANNEL SETTING : The Last Channel of UHF High
- SIGNAL PATTERN : Colour Bar

VOLTAGE TABLE FOR TRANSISTOR

	B (V)	C (V)	E (V)		B (V)	C (V)	E (V)
Q001	4.1	12.4	3.5	Q506	2.2	8.5	3.5
Q002	4.8	0	8.9	Q603	5.4	14	4.7
Q003	2.4	0	3.1	Q604	0	4.7	0
Q004	0.1	8.2	0	Q608	0.6	0	0
Q005	0.9	6.8	0.3	Q609	0	4.7	4.4
Q101	11.6	12.3	12.4	Q681	0.65	5	0
Q102	11.6	12.3	12.4	Q701	0	2.6	0
Q103	11.6	12.3	12.4	Q702	2.6	-1.8	2.6
Q104	1.1	9	0.3	Q901	9.1	12.9	8.4
Q105	0	7	0	Q903	0	1.2	0
Q106	0.6	0-31	0	Q904	-2.5	291	0
Q107	3.1	8.2	2.5	Q905	112	112	111
Q201	16.1	15.6	15.4	Q906	111	112	112
Q401	10.2	15.6	8.8	Q907	5.4	0	1.7
Q402	0	79	0				
Q403	0	111	0				
Q501	3.6	118	3				
Q502	3.6	105	3				
Q503	3.4	122	2.8				
Q504	2.2	8.5	3.5				
Q505	2.2	8.5	3.5				

NOTE: VOLTAGE ARE TAKEN UNDER TUNED CONDITION WITH

CONTRAST : Maximum Position  
 BRIGHTNESS : Maximum Position  
 COLOR : Maximum Position  
 SIGNAL INPUT : 80 dBuV  
 CHANNEL SETTING : The Last Channel of UHF High  
 SIGNAL PATTERN : Colour Bar

MODEL NO: CT-M341MKII

SYSTEM: PAL/BG/AVIN M.GRAY{8403C} 240V SAA 47P

<u>PART NUMBER</u>	<u>DESCRIPTION</u>	<u>QTY.</u>
155-921304-00-13	HANDSET ASS'Y FOR R/C:9213 SGS IC 47P. CAB:TEAC DESIGN 9213 CT-M341MKII RC-616	
180-9313T0-28-22	NON-COMMON PART ASS'Y PAL/BG W/AV IN RCA JACK {SGS IC} 47 PROG.	
180-9313T0-28-CP	COMMON PART ASS'Y (PAL/BG W/AV IN) NEW SGS 3 CHIP IC "FOR TEAC"	

**MODEL NO: CT-M341MKII****SYSTEM: PAL/BG/AVIN M.GRAY{8403C} 240V SAA 47P**

<u>PART NUMBER</u>	<u>DESCRIPTION</u>	<u>QTY.</u>
155-921304-00-13	HANDSET ASS'Y FOR R/C:9213 SGS IC 47P. CAB:TEAC DESIGN 9213 CT-M341MKII RC-616	
107-800455-46	455K HZ RESONATOR "KYOCERA" X701	1
113-100005-17	CARBON FILM RESISTOR 10 OHM 1/16W +-5% R701	1
113-103005-17	CARBON FILM RESISTOR 10K OHM 1/16W +-5% R703	1
113-229005-17	CARBON FILM RESISTOR 2.2 OHM 1/16W +-5% R702	1
113-330005-17	CARBON FILM RESISTOR 33 OHM 1/16W +-5% R704	1
123-101350-60	CERAMIC CAP. 100 PF 50V +-10% (SL TYPE) "SMART GOOD" C702,703	2
127-476042-03	ELECT. CAP. 47 MFD 16V +-20% C701	1
130-134148-01	SILICON DIODE IN4148 D701,702	2
130-600101-00	INFRARED EMITTER EL-1L1 KODENSHI LED 701	1
131-210719-29	TRANSISTOR 2SA719R/S MATSUSHITA Q702	1
131-230945-00	TRANSISTOR 2SC945 NEC Q701	1
133-830041-31	IC M3004LAB1 (SGS) IC701	1
172-626010-42	UL 1007 TOP COAT WIRE AWG 26 100MM RED 10 X 10MM FOR REMOTE P.C.B. '+' TO BATTERY CONTACT PLATE '+'	1
172-626012-40	UL 1007 TOP COAT WIRE AWG 26 120MM BLACK 10 X 10 MM FOR REMOTE P.C.B. '-' TO BATTERY CONTACT PLATE '-'	1
172-726000-99	BARE WIRE 54MM W701,702	0
190-921306-02	REMOTE P.C.B.	1
514-260410-00	SELF-TAPPING SCREW 2.6 X 10 B/T (HARDEN) {BLACK} CAB. MTG.	1
774-931301-00	BATTERY SPRING (+-)	1
774-931302-00	BATTERY SPRING (+)	1
774-931303-00	BATTERY SPRING (-)	1
810-041104-13	POLYBAG 4" X 11" X 0.04MM W/RE-CYCLING MARK FOR HANDSET	1
849-921302-00	CONTACT RUBBER KEY PAD (24 KEYS)	1
892-921302-04	DIAL KEY PLATE - ENG STD (24 KEYS) "47 PROG."	1
910-921301-01	BATTERY DOOR (3A)	1
964-921301-01	SENSOR LENS	1
900-921311-73	HANDSET TOP CAB. - TEAC DESIGN 9213 (CT-M341MKII RC-616)	1
900-921341-73	HANDSET TOP CAB. - TEAC DESIGN 9213 (CT-M341MKII RC-616)	0
902-921311-01	HANDSET BOTTOM CAB. - BLACK MOULDED (3A)	1
902-921341-01	HANDSET BOTTOM CAB. - BLACK MOULDED (3A)	0

**MODEL NO: CT-M341MKII****SYSTEM: PAL/BG/AVIN M.GRAY{8403C} 240V SAA 47P**

<u>PART NUMBER</u>	<u>DESCRIPTION</u>	<u>QTY.</u>
180-9313T0-28-22	NON-COMMON PART ASS'Y PAL/BG W/AVACK {SGS IC} PROG.	47
002-114022-40	14" CRT #37SX110Y22-DC05A S/H CAI HONG	1
003-131414-02	TUNER (OSCAR ) UVE33-W14 MITSUMI (HIGH JACK) TUNER	1
107-738900-07	SAW FILTER TOSHIBA (F1044PS) SA101	1
160-102255-27	PIN CONNECTOR 2 PINS PLUG STRAIGHT (UL) (S.H.S) CN202	1
162-110010-00	ANTENNA MATCHING TRANSFORMER (300 OHM TO 75 OHM)	1
166-162030-00	SPEAKER 3" 2W 16 OHM "TCL"	1
171-550084-D0	84" AC LINE CORD W/SAA APP. 10A 250V	1
172-726000-99	BARE WIRE 54MM W158,104	0
179-105000-00	UL PVC TUBE 5mm DIA 400MM FOR CN202	0
186-624500-11	HI-WATT SUPER HEAVY DUTY 1.5V 0% MERCURY 3A ER03X ALUM.CASE	2
191-201017-07	2 PIN SOCKET ASS'Y L=460MM (PIN 1 RED, PIN 2 BLACK) CN202 `1' TO SPK. `+', `2' TO SPK. `-'	1
191-400042-07	4 PINS SOCKET ASS'Y AWG 20 420 MM	1
514-400408-10	SELF-TAPPING SCREW 4 X 8 B/T (HARDEN) FOR SWIVEL STAND	2
515-303408-10	SELF-TAPPING SCREW 3 X 8 W/B/T (HARDEN) FOR FRONT CAB. TO FRONT PANEL	1
610-931301-53	GIFT BOX - TEAC (A) DESIGN (CT-M341MKII)	1
663-230458-98	SERIAL NO.LABEL - OC:GT-458/98	0
663-230464-98	SERIAL NO.LABEL - OC:GT-464/98	0
663-230517-98	SERIAL NO.LABEL - OC:GT-517/98	2
669-881301-4N	1PC STUCK ON RATING LABEL, 1PC STUCK ON CARTON RATING LABEL - TEAC (A) DESIGN {CT-M341MKII} {220V}	1
670-931300-1B	INSTRUCTION MANUAL - TEAC (C) DESIGN {CT-M341MKII} {47P.}	1
678-931301-16	CB NUMBER LABEL {I} - TEAC DESIGN (CT-M341TXT) LARGE SIZE	2
678-931306-07	2PC STUCK ON EACH CTN SCREEN STICKER - TEAC DSEIGN (CT-M341MKII) TO TOP RIGHT OF THE SCREEN	1
678-931314-05	EASY TUNE CARD (B) - TEAC (B) DESIGN	1
678-931315-07	TOTAL CARE LAEBL - TEAC (B) DESIGN 1PC STUCK ON BACK CABINET	1
690-942039-02	WARRANTY CARD -TEAC (C) DESIGN	1
693-931301-08	EAN CODE LABEL - 9313060007775	1
737-154510-00	METAL WASHER FOR SWIVEL STAND	2
782-721952-10	DOUBLE ROD ANTENNA 5 SECTIONS 850MM "TIMPOLAR"	1
800-931305-00	POLYFOAM (1)	1
800-931306-00	POLYFOAM (2)	1
800-931307-00	POLYFORM (3)	1
800-931308-00	POLYFOAM (4)	1



**MODEL NO: CT-M341MKII**

**SYSTEM: PAL/BG/AVIN M.GRAY{8403C} 240V SAA 47P**

<u>PART NUMBER</u>	<u>DESCRIPTION</u>	<u>QTY.</u>
810-052204-14	POLYBAG 5" X 22" X 0.04MM W/RE-CYCLING MARK {P/O MAT} FOR AC LINE CORD	1
810-091504-13	POLYBAG 9" X 15" X 0.04MM W/ RE-CYCLING P.E.MARK FOR I/MANUAL	1
810-303004-61	POLYBAG 30"X30"X0.04MM W/PUNCH TEAC DESIGN (CT-M341 TXT) FOR UNIT	1
826-221505-00	FOAM SHEET 22" X 15" X 0.5MM FOR UNIT	1
830-931301-02	STAND RUBBER FOOT (GREY) FOR SWIVEL STAND	4
884-881303-01	JACK PLATE - W/AV IN/WHITE SS	1
884-931314-02	PRESET PLATE - TEAC DEISGN	1
889-931302-00	COVER PLATE (PAL)	1
889-931304-00	COVER PLATE - W/O BAND SW. AND TACT SW. HOLE FOR REAR CAB.	1
900-931301-10	FRONT CABINET (A) - METALLIC GREY (8403C) SPRAYED	1
902-931306-U5	REAR CAB.-METALLIC GREY{8403C} W/SINGLE SPEAKER {HIPS UL94V0}	1
917-931301-00	REMOTE LENS (A-A) TRANSLUCENT RED	1
919-931302-33	P/DOOR-TEAC DESIGN CT-M341MKII METALLIC GREY {8403C}	1
930-931302-14	FRONT PANEL (A-B) (PAL) - TEAC DESIGN METALLIC GREY (8403C)	1
959-931301-04	SWIBEL STAND - ABS METALLIC GREY {8403C}	1
986-931301-06	NAME PLATE - TEAC DESIGN	1
991-931301-05	POWER KNOB (A-A) - METALLIC GREY {8403C}	1

MODEL NO: CT-M341MKII

SYSTEM: PAL/BG/AVIN M.GRAY{8403C} 240V SAA 47P

<u>PART NUMBER</u>	<u>DESCRIPTION</u>	<u>QTY.</u>
180-9313T0-28-CP	COMMON PART ASS'Y (PAL/BG W/AV IN) NEW SGS 3 CHIP IC "FOR TEAC"	
001-214189-05	FLYBACK TRANSFORMER 154-189H GOLDSTAR "FOR CAIHONG CRT" T402	1
008-550151-05	DEGAUSSING COIL 40T (W/FIVE LAYERS OF TAPE) L903	1
012-102340-06	SEMI-FIXED RESISTOR EVND8AA 03B13 1KB VR901	1
012-103340-06	SEMI-FIXED RESISTOR EVND8AA 03B14 10KB VR101,404	2
012-201340-06	SEMI-FIXED RESISTOR EVND8AA 03B22 200B VR405	1
012-202340-06	SEMI-FIXED RESISTOR EVND8AA 03B23 2KB VR302	1
012-204340-06	SEMI-FIXED RESISTOR EVND8AA 03B25 200KB VR401	1
012-301330-06	SEMI-FIXED RESISTOR EVND2AA 03B32 300B VR503,505	2
012-501340-06	SEMI-FIXED RESISTOR EVND 8AA 03B52 500B VR402	1
012-502330-06	SEMI-FIXED RESISTOR EVND2AA 03B53 5KB VR501,502,504	3
012-502340-06	SEMI-FIXED RESISTOR EVND8AA 03B53 5KB VR307	1
012-503340-06	SEMI-FIXED RESISTOR EVND8AA 03B54 50KB VR303	1
013-100004-00	GLASS DELAY LINE ENF-650A11-0 WEI HAW DLY302	1
013-200005-00	Y-DELAY LINE YBL50F18X DLY301	1
101-191009-96	HORIZONTAL DRIVE TRANSFORMER (R1009) T401	1
101-288820-95	LINE FILTER 70MH L901	1
101-414214-94	SWITCHING POWER TRANSFORMER HL4025B (HIGHLIGHT) T901	1
102-370600-02	TANK COIL / AFC COIL COILS 707851 T103,101	2
102-670100-02	SOUND IF COILS 707532 T102	1
102-770200-02	SECAM COLOR PAL DELAY LINE MATCHING COILS 707850 T301	1
105-100103-08	FIXED INDUCTOR COIL 10 UH +-10% AXIAL L105	1
105-101103-08	FIXED INDUCTIVE COIL 100UH +-10% (WITTIS) L501	1
105-109103-08	FIXED INDUCTIVE COIL 1.0UH +-10% (WITTIS) L102,109	2
105-150102-06	LINEARITY COIL 15UH FOR 29" RCA CRT L402	1
105-150103-08	FIXED INDUCTOR COIL 15 UH +-5% AXIAL L401,104	2

**MODEL NO: CT-M341MKII**

**SYSTEM: PAL/BG/AVIN M.GRAY{8403C} 240V SAA 47P**

<u>PART NUMBER</u>	<u>DESCRIPTION</u>	<u>QTY.</u>
105-180103-08	FIXED INDUCTIVE COIL 18 UH L302	1
105-201106-02	CHOKE COIL 200UH 10% CH9012- 201K (ELEC PRODUCT) L903	1
105-270103-08	FIXED INDUCTIVE COIL 27UH L601	1
105-689103-08	FIXED INDUCTOR COIL 6.8 UH +-10% AXIAL L301	1
105-828103-08	FIXED INDUCTIVE COIL 0.82 UH +-10% AXIAL L101	1
107-105500-66	SOUND TRAP CERAMIC FILTER 5.5MHZ WEI HAW CF102	1
107-305500-16	SOUND BYPASS CERAMIC FILTER 5.5MHZ WEI HAW CF101	1
107-808000-66	RESONATOR 8MHZ X601	1
113-101105-17	CARBON FILM RESISTOR 100 OHM 1/4W +-5% R314,316,318,438	4
113-101205-12	CARBON FILM RESISTOR 100 OHM 1/2W +-5% R649	1
113-102105-17	CARBON FILM RESISTOR 1K OHM 1/4W +-5% R140,134,114,432,669,326,004,006,009,329	0
113-102305-75	METAL OXIDE FILM RESISTOR 1K OHM 1W +-5% R411	1
113-103105-17	CARBON FILM RESISTOR 10K OHM 1/4W +-5% R418,908,204,650,309,129,130,122,622	9
113-103105-17	CARBON FILM RESISTOR 10K OHM 1/4W +-5% R104,120,118,640,617,005,013,010,012,108	0
113-103105-17	CARBON FILM RESISTOR 10K OHM 1/4W +-5% R109,110,623	3
113-104105-17	CARBON FILM RESISTOR 100K OHM 1/4W +-5% R422,642,634,119,681,682,CF103	7
113-104205-12	CARBON FILM RESISTOR 100K OHM 1/2W +-5% R923	1
113-104305-75	METAL OXIDE FILM RESISTOR 100K OHM 1W +-5% R921	1
113-109205-12	CARBON FILM RESISTOR 1 OHM 1/2W +-5% R410	1
113-120305-75	METAL OXIDE FILM RESISTOR 12 OHM 1W +-5% R911	1
113-120405-75	METAL OXIDE FILM RESISTOR 12 OHM 2W +-5% R920	1
113-120505-75	METAL OXIDE FILM RESISTOR 12 OHM 3W +-5% R414	1
113-121105-17	CARBON FILM RESISTOR 120 OHM 1/4W +-5% R648	1
113-122105-17	CARBON FILM RESISTOR 1.2K OHM 1/4W +-5% R407,665,303	3
113-123105-17	CARBON FILM RESISTOR 12K OHM 1/4W +-5% R436,441,327,306	4
113-124105-17	CARBON FILM RESISTOR 120K OHM 1/4W +-5% R451	1

**MODEL NO: CT-M341MKII**

**SYSTEM: PAL/BG/AVIN M.GRAY{8403C} 240V SAA 47P**

<u>PART NUMBER</u>	<u>DESCRIPTION</u>	<u>QTY.</u>
113-129405-42	FUSING RESISTOR 1.2 OHM 2W +-5% R501	1
113-151105-17	CARBON FILM RESISTOR 150 OHM 1/4W +-5% R307,116,017,001	4
113-152105-17	CARBON FILM RESISTOR 1.5K OHM 1/4W +-5% R419,310,304	3
113-153105-17	CARBON FILM RESISTOR 15K OHM 1/4W +-5% R302,014,320,321	4
113-153405-75	METAL OXIDE FILM RESISTOR 15K OHM 2W +-5% R510,511,505	3
113-182105-17	CARBON FILM RESISTOR 1.8K OHM 1/4W +-5% R907,312,126	3
113-183105-17	CARBON FILM RESISTOR 18K OHM 1/4W +-5% R657,313	2
113-184105-17	CARBON FILM RESISTOR 180K OHM 1/4W +-5% R618,658	2
113-184205-12	CARBON FILM RESISTOR 180K OHM 1/2W +-5% R415	1
113-202105-17	CARBON FILM RESISTOR 2K OHM 1/4W +-5% R328	1
113-202605-75	METAL OXIDE FILM RESISTOR 2K OHM 5W +-5% R413	1
113-203105-17	CARBON FILM RESISTOR 20K OHM 1/4W +-5% R325	1
113-221105-17	CARBON FILM RESISTOR 220 OHM 1/4W +-5% R423,117,666	3
113-221205-12	CARBON FILM RESISTOR 220 OHM 1/2W +-5% R406	1
113-222105-17	CARBON FILM RESISTOR 2.2K OHM 1/4W +-5% R206,513,509,507,514,515,516,008	8
113-222205-12	CARBON FILM RESISTOR 2.2K OHM 1/2W +-5% R405	1
113-223105-17	CARBON FILM RESISTOR 22K OHM 1/4W +-5% R435,137	2
113-224105-17	CARBON FILM RESISTOR 220K OHM 1/4W +-5% R207,408,107	3
113-225105-17	CARBON FILM RESISTOR 2.2M OHM 1/4W +-5% R324	1
113-229105-17	CARBON FILM RESISTOR 2.2 OHM 1/4W +-5% R208,404	2
113-229405-75	METAL OXIDE FILM RESISTOR 2.2 OHM 2W +-5% R902,201	2
113-270105-17	CARBON FILM RESISTOR 27 OHM 1/4W +-5% R115	1
113-270405-75	METAL OXIDE FILM RESISTOR 27 OHM 2W +-5% R912	1
113-272105-17	CARBON FILM RESISTOR 2.7K OHM 1/4W +-5% R319,317,315,426,662,663,664,638	8
113-272205-12	CARBON FILM RESISTOR 2.7K OHM 1/2W +-5% R922,412,503,502,504	5
113-273101-67	METAL FILM RESISTOR 27K OHM 1/4W +-1% R151	1

MODEL NO: CT-M341MKII

SYSTEM: PAL/BG/AVIN M.GRAY{8403C} 240V SAA 47P

<u>PART NUMBER</u>	<u>DESCRIPTION</u>	<u>QTY.</u>
113-273105-17	CARBON FILM RESISTOR 27K OHM 1/4W +-5% R425,138	2
113-274105-17	CARBON FILM RESISTOR 270K OHM 1/4W +-5% R619	1
113-303101-67	METAL FILM RESISTOR 30K OHM 1/4W +-1% R428	1
113-303105-17	CARBON FILM RESISTOR 30K OHM 1/4W +-5% R123,305	2
113-330105-17	CARBON FILM RESISTOR 33 OHM 1/4W +-5% R433	1
113-331105-17	CARBON FILM RESISTOR 330 OHM 1/4W +-5% R905	1
113-332105-17	CARBON FILM RESISTOR 3.3K OHM 1/4W +-5% R904,205,403,301,128	5
113-333105-17	CARBON FILM RESISTOR 33K OHM 1/4W +-5% R670,660,676,003	4
113-334105-17	CARBON FILM RESISTOR 330K OHM 1/4W +-5% R401,686	2
113-334305-75	METAL OXIDE FILM RESISTOR 330K OHM 1W +-5% R913	1
113-338405-75	METAL OXIDE FILM RESISTOR 0.33 OHM 2W +-5% R914	1
113-390605-75	METAL OXIDE FILM RESISTOR 39 OHM 5W +-5% R915	1
113-391105-17	CARBON FILM RESISTOR 390 OHM 1/4W +-5% R506,508,450	3
113-393105-17	CARBON FILM RESISTOR 39K OHM 1/4W +-5% R606,409	2
113-471105-17	CARBON FILM RESISTOR 470 OHM 1/4W +-5% R654,127,125,007	4
113-472101-67	METAL FILM RESISTOR 4.7K OHM 1/4W +-1% R674	1
113-472105-17	CARBON FILM RESISTOR 4.7K OHM 1/4W +-5% R910,602,603,601,427,139,672,673,653,016,011	11
113-472105-17	CARBON FILM RESISTOR 4.7K OHM 1/4W +-5% R607,605,604	3
113-472205-75	METAL OXIDE FILM RESISTOR 4.7K OHM 1/2W +-5% R349	1
113-473105-17	CARBON FILM RESISTOR 47K OHM 1/4W +-5% R612,699	2
113-475105-17	CARBON FILM RESISTOR 4.7M OHM 1/4W +-5% R322,323	2
113-479105-17	CARBON FILM RESISTOR 4.7 OHM 1/4W +-5% R160	1
113-479605-51	WIRE WOUND CEMENT RES. 4.7 OHM 5W +-5% R901	1
113-511105-17	CARBON FILM RESISTOR 510 OHM 1/4W +-5% R512	1
113-514105-17	CARBON FILM RESISTOR 510K 1/4W +-5% R420	1
113-561105-17	CARBON FILM RESISTOR 560 OHM 1/4W +-5% R431	1

**MODEL NO: CT-M341MKII**

**SYSTEM: PAL/BG/AVIN M.GRAY{8403C} 240V SAA 47P**

<u>PART NUMBER</u>	<u>DESCRIPTION</u>	<u>QTY.</u>
113-562105-17	CARBON FILM RESISTOR 5.6K OHM 1/4W +-5% R203,202,421,105,101,102,103,106,113,668	10
113-563105-17	CARBON FILM RESISTOR 56K OHM 1/4W +-5% R156,136,635,002,671	5
113-565210-92	CARBON COMPOSITION RESISTOR 5.6M OHM 1/2W +-10% R916,917	2
113-680405-75	METAL OXIDE RESISTOR 68 OHM 2W +-5% R442	1
113-681105-17	CARBON FILM RESISTOR 680 OHM 1/4W +-5% R402,124	2
113-682105-17	CARBON FILM RESISTOR 6.8K OHM 1/4W +-5% R909,903,153	3
113-683105-17	CARBON FILM RESISTOR 68K OHM 1/4W +-5% R698	1
113-688205-42	FUSING RESISTOR 0.68 OHM 1/2W +-5% R918,919	2
113-688305-42	FUSING RESISTOR 0.68 OHM 1W +-5% R417,416	2
113-820105-17	CARBON FILM RESISTOR 82 OHM 1/4W +-5% R112	1
113-821105-17	CARBON FILM RESISTOR 820 OHM 1/4W +-5% R639,610,609	3
113-822105-17	CARBON FILM RESISTOR 8.2K OHM 1/4W +-5% R906	1
113-822505-75	METAL OXIDE FILM RESISTOR 8.2K OHM 3W +-5% R132	1
113-823105-17	CARBON FILM RESISTOR 82K OHM 1/4W +-5% R429	1
114-210200-01	THERMISTOR (NICHICON ZPB53 BL 200C) TH901	1
123-100340-60	CERAMIC CAP. 10PF +-5% 50V (SL TYPE) C612	1
123-101340-93	CERAMIC CAP. 100PF 50V +-5% (NPO) C103	1
123-101350-60	CERAMIC CAP. 100 PF 50V +-10% (SL TYPE) "SMART GOOD" C605	1
123-102850-10	CERAMIC CAP. 0.001 MFD 2KV +-10% MATSUSHITA C501	1
123-103370-90	CERAMIC CAP. 0.01 MFD 50V +80 -20% C402,304,125,122,118,115,116,114	8
123-104270-90	CERAMIC CAP. 0.1 MFD 25V +80 -20% C681	1
123-122551-90	CERAMIC CAP. 0.0012 MFD 500V +-10% (B TYPE) MATSUSHITA C433	1
123-150340-93	CERAMIC CAP. 15 PF 50V +-5% (NPO) C609,610,319	3
123-181350-60	CERAMIC CAP. 180 PF 50V +-10% (SL TYPE) C431,438,503	3
123-221350-60	CERAMIC CAP. 220 PF 50V +-10% (SL TYPE) C427,502	2

**MODEL NO: CT-M341MKII**

**SYSTEM: PAL/BG/AVIN M.GRAY{8403C} 240V SAA 47P**

<u>PART NUMBER</u>	<u>DESCRIPTION</u>	<u>QTY.</u>
123-221551-90	CERAMIC CAP. 220 PF 500V +-10% MATSUSHITA C915	1
123-222350-90	CERAMIC CAP. 0.0022 MFD 50V +-10% (B TYPE) C601,607	2
123-222466-50	CERAMIC CAP. 0.0022 MFD 400VAC +-20% ECKDNA222ME "MATSUSHITA" C912	1
123-222850-10	CERAMIC CAP. 0.0022 MFD 2KV +-10% MATSUSHITA C911	1
123-223370-90	CERAMIC CAP. 0.022 MFD 50V +80 -20% C626,627,628	3
123-240340-93	CERAMIC CAP 24PF 50V +-5%(NPO) C602,603	2
123-271350-60	CERAMIC CAP. 270 PF 50V +-10% (SL TYPE) C504	1
123-302350-90	CERAMIC CAP. 0.003 MFD 50V +-10% (B TYPE) C005	1
123-390340-93	CERAMIC CAP. 39PF 50V +-5% (NPO) C604	1
123-470340-60	CERAMIC CAP. 47 PF 50V +-5% (SL TYPE) C123	1
123-471350-60	CERAMIC CAP. 470 PF 50V +-10% (SL TYPE) C126	1
123-472550-90	CERAMIC CAP. 0.0047 MFD 500V +-10% (B TYPE) C419,424,913	3
123-472552-90	CERAMIC CAP. 0.0047 MFD 500V +-10% (B TYPE) SMALL SIZE C903,904,907	3
123-680340-93	CERAMIC CAP. 68 PF 50V +-5% (NPO) C303	1
123-821850-10	CERAMIC CAP. 820 PF 2KV +-10% (SL TYPE) MATSUSHITA C914,437	2
126-102071-01	MYLAR CAP. 0.001 MFD 50V +-10% C428	1
126-103071-01	MYLAR CAP. 0.01 MFD 50V +-10% C441,121	2
126-104071-01	MYLAR CAP. 0.1 MFD 50V +-10% C908,205,208,411,317,318,407,429,306,307,108,106	12
126-104071-01	MYLAR CAP. 0.1 MFD 50V +-10% C313,314,606	3
126-104101-31	POLYPROPYLENE CAP. 0.1 MFD 100V +-10% C440	1
126-153071-01	MYLAR CAP. 0.015 MFD 50V +-10% C422	1
126-154071-01	MYLAR CAP. 0.15 MFD 50V +-10% C128	1
126-222070-31	POLYPROPYLENE CAP. 0.0022 MFD 50V +-5% C421	1
126-222071-01	MYLAR CAP. 0.0022 MFD 50V +-10% C204,621	2
126-223071-01	MYLAR CAP. 0.022 MFD 50V +-10% C207,409,425	3

**MODEL NO: CT-M341MKII**

**SYSTEM: PAL/BG/AVIN M.GRAY{8403C} 240V SAA 47P**

<u>PART NUMBER</u>	<u>DESCRIPTION</u>	<u>QTY.</u>
126-224071-01	MYLAR CAP 0.22 MFD 50V +-10% C104	1
126-332071-01	MYLAR CAP. 0.0033 MFD 50V +-10 % C316	1
126-332161-41	METALIZED POLYPROPYLENE CAP. 0.0033 MFD 1600V +-10% C435,436	2
126-333071-01	MYLAR CAP. 0.033 MFD 50V +-10% C906	1
126-334071-01	MYLAR CAP. 0.33 MFD 50V +-10% C403	1
126-473071-01	MYLAR CAP. 0.047 MFD 50V +-10% C315,426	2
126-473222-41	METALIZED POLYPROPYLENE CAP. 0.047 MFD 275V +-20% "OKAYA" C902	1
126-474071-01	MYLAR CAP. 0.47 MFD 50V +-10% C430	1
126-474201-31	POLYPROPYLENE CAP 0.47 MFD 200V +-10% C414	1
126-474222-41	METALIZED POLYPROPYLENE CAP. 0.47 MFD 275VAC +-20% "OKAYA" C901	1
127-105071-05	ELECT CAP. 1 MFD 50V +-10% (TIME CONSTANT) C413	1
127-105072-03	ELECT. CAP. 1 MFD 50V +-20% C210,423,611,112,410,124	6
127-105132-03	ELECT. CAP. 1 MFD 160V +-20% C415,320	2
127-106042-03	ELECT. CAP. 10 MFD 16V +-20% C619,110,309,312,308,624,616,006,008	9
127-106042-23	ELECT.CAP. BIPOLAR 10MFD 16V +-20% C009	1
127-106072-03	ELECT. CAP. 10 MFD 50V +-20% C201	1
127-106104-03	ELECT CAP. 10 MFD 100V +-20% 105øC C910	1
127-107042-03	ELECT. CAP. 100 MFD 16V +-20% C408,119,310	3
127-107062-03	ELECT. CAP. 100 MFD 35V +-20% C202	1
127-107132-03	ELECT. CAP. 100 MFD 160V +-20% "NICHICON" C434,918	2
127-107402-03	ELECT. CAP. 100 MFD 400V +-20% C905	1
127-108052-03	ELECT. CAP. 1000 MFD 25V +-20% C211	1
127-108062-03	ELECT CAP. 1000 MFD 35V +-20% C442	1
127-225072-03	ELECT. CAP 2.2 MFD 50V +-20% C129,620,109	3
127-226042-03	ELECT. CAP. 22 MFD 16V +-20% C321,132,617	3



MODEL NO: CT-M341MKII

SYSTEM: PAL/BG/AVIN M.GRAY{8403C} 240V SAA 47P

<u>PART NUMBER</u>	<u>DESCRIPTION</u>	<u>QTY.</u>
127-227042-03	ELECT. CAP. 220 MFD 16V +-20% C622,625	2
127-227062-03	ELECT. CAP. 220 MFD 35V +-20% C916,416	2
127-228042-03	ELECT. CAP. 2200 MFD 16V +-20% C412	1
127-228052-03	ELECT. CAP. 2200 MFD 25V +-20% C417	1
127-335042-03	ELECT. CAP. 3.3 MFD 16V +-20% C699	1
127-336042-03	ELECT. CAP. 33 MFD 16V +-20% C001	1
127-336042-23	ELECT. CAP. BIPOLAR 33 MFD 16V +-20% C003,007	2
127-336252-03	ELECT CAP. 33 MFD 250V +-20% C420	1
127-474072-03	ELECT. CAP. 0.47 MFD 50V +-20% C206,203	2
127-475052-03	ELECT. CAP. 4.7 MFD 25V +-20% C305,107,111,113,117	5
127-476042-03	ELECT. CAP. 47 MFD 16V +-20% C401,618	2
127-476072-07	ELECT.CAP. 47 MFD 50V +-20% NICHICON C406	1
127-476094-07	ELECT CAP. 47 MFD 63V +-20% 105øC "NICHICON" C909	1
127-477042-03	ELECT. CAP. 470 MFD 16V +-20% C209,160,432	3
130-134148-01	SILICON DIODE IN4148 D501,502,503,608,613,301,303,612,001,002,003,610	12
130-134148-01	SILICON DIODE IN4148 D101,103,102,604,302,408,FOR D606,FOR R305,D409	9
130-310012-00	RECTIFIER DIODE RU2 SANKEN D404	1
130-311441-64	BRIDGE RECTIFIER 1J4B41 TOSHIBA BR901	1
130-311541-60	RECTIFIER DOIDE 1R5JU41 D904	1
130-314004-00	RECTIFIER DIODEN 1N4004 D401,402	2
130-315295-00	RECTIFIER DIODE S5295G TOSHIBA D903,901,902,905,405,403,407,907,908	9
130-410039-01	ZENER DIODE 3.9V ZD101	1
130-410051-01	ZENER DIODE 5.1V 1/2W +-5% ZD601	1
130-410056-01	ZENER DIODE 5.6V ZD604	1
130-410082-01	ZENER DIODE 8.2V ZD901	1
130-410100-01	ZENER DIODE 10V 1/2W ZD405	1

**MODEL NO: CT-M341MKII**

**SYSTEM: PAL/BG/AVIN M.GRAY{8403C} 240V SAA 47P**

<u>PART NUMBER</u>	<u>DESCRIPTION</u>	<u>QTY.</u>
130-410100-01	ZENER DIODE 10V 1/2W ZD403	1
130-410574-00	ZENER DIODE UPC 574J NEC ZD102	1
130-411091-01	ZENER DIODE 9.1V ZD902,401,402	3
130-422120-00	ZENER DIODE 1W 12V ZD404	1
130-422120-00	ZENER DIODE 1W 12V ZD406	1
130-512044-00	LED 3MM RED 204HDC LED601	1
131-211013-18	TRANSISTOR 2SA1013 (R) TOSHIBA Q906	1
131-211015-00	TRANSISTOR 2SA1015 TOSHIBA Q101,102,103,610,002,003,699	7
131-220774-0A	TRANSISTOR 2SB774/Q/R/S MATSUSHITA Q907	1
131-230945-00	TRANSISTOR 2SC945 NEC Q604,504,505,506,105	5
131-231317-00	TRANSISTOR 2SC1317 MATSUSHITA Q603	1
131-231809-0A	TRANSISTOR 2SC1809 ROHM Q104	1
131-231815-00	TRANSISTOR 2SC1815Y FO SHAN Q698	1
131-231815-0A	TRANSISTOR 2SC1815 TOSHIBA Q903,901,609,107,108,001,004,005,681,301,302	11
131-232230-00	NPN-TR 2SC2230A-Y (TOSHI) TO92 VCE=180V IC=.1A HFE=120-240 Q608	1
131-232335-30	TRANSISTOR 2SC2335 L/K NEC Q905	1
131-232482-0A	TRANSISTOR 2SC2482 TOSHIBA Q402,501,502,503	4
131-232703-25	TRANSISTOR 2SC2703-Y TOSHIBA Q201,401	2
131-241554-00	TRANSISTOR 2SD1554 TOSHIBA Q403	1
131-242498-13	TRANSISTOR 2SD2498(M) TOSHIBA Q904	1
131-462369-0A	TRANSISTOR PH2369 PHILIPS Q106	1
133-108213-31	IC TDA8213 SGS IC101	1
133-108217-31	IC TDA8217 SGS IC301	1
133-201013-33	I.C. TDA1013B PHILIPS IC201	1
133-208214-31	IC TDA8214B SGS IC401	1
133-306356-31	IC ST6356BB1/BJT SGS-THOMSON IC601	1

**MODEL NO: CT-M341MKII**

**SYSTEM: PAL/BG/AVIN M.GRAY{8403C} 240V SAA 47P**

<u>PART NUMBER</u>	<u>DESCRIPTION</u>	<u>QTY.</u>
136-500005-00	REMOTE CONTROL RECEIVER MM-005E (JUNGPOONG) OPT601	1
137-443618-20	CRYSTAL 4.43 MHz "TEC" X301	1
146-100006-14	POWER SWITCH PS5E-B "CHINA LANDMARK" S602	1
146-104112-01	TACT SWITCH 4 PIN L=8.35 100G #1102VC-4 "PROMOTION" S607,608,609,610,612,603,604,605,606,601	10
160-101001-08	PIN CONNECTOR 1 PIN PLUG STRAIGHT CN501,901,903	3
160-102805-08	PIN CONNECTOR 2 PIN PLUG STRAIGHT CN902	1
160-104805-08	PIN CONNECTOR 4 PIN PLUG STRAIGHT CN401	1
160-109255-27	PIN CONNECTOR 9 PINS PLUG CN301	1
161-470002-00	RCA JACK HYJ-032-03BB BLACK "MING FUNG" J002	1
161-470003-00	RCA JACK HYJ-032-03BY YELLOW "MING FUNG" J001	1
161-540105-00	CRT SOCKET ISL-01 IN CHANG FOR CRT P.C.B.	1
172-120034-40	UL 1007 STANDARD WIRE AWG 20 340MM BLACK 10 X 10MM 1 CN402 `2' TO CRT P.C.B. `L'	1
172-620005-40	UL 1007 TOP COAT WIRE AWG 20 50MM BLACK 5 X 5MM 1 FOR IC201 PIN `1' TO `9'	1
172-620007-40	UL 1007 TOP COAT WIRE #20 70MM BLACK 5 X 5 MM 1 MAIN P.C.B. `L' TO `L'	1
172-620014-40	UL 1007 TOP COAT WIRE AWG 20 140MM BLACK 10 X 10 1 MM MAIN P.C.B. `D' TO `D'	1
172-626004-40	UL 1007 TOP COAT WIRE AWG 26 40MM BLACK 5 X 5 MM 1 JUMPER WIRE W184 TO CF103	1
172-626008-40	UL 1007 TOP COAT WIRE AWG 26 80MM BLACK 10 X 10 MM 3 Q904 LUG TO MAIN PCB `I', MAIN PCB `C' TO `C'	3
172-626008-40	UL 1007 TOP COAT WIRE AWG 26 80MM BLACK 10 X 10 MM 0 C126 ANODE TO Q108 COLLECTOR	0
172-626010-40	UL 1007 TOP COAT WIRE AWG 26 100MM BLACK 10 X 10 1 MM Q403 LUG TO MAIN PCB `E'	1
172-626010-44	UL 1007 TOP COAT WIRE AWG 26 100MM YELLOW 10 X 10 1 MAIN P.C.B. `X' TO `X'	1
172-626010-46	UL 1007 TOP COAT WIRE AWG 26 100MM BLUE 10 X 10 MM 1 MAIN P.C.B. `J' TO `J'	1
172-626012-40	UL 1007 TOP COAT WIRE AWG 26 120MM BLACK 10 X 10 1 MM MAIN P.C.B. `N' TO `N'	1
172-626012-44	UL 1007 TOP COAT WIRE AWG 26 120MM YELLOW 10 X 10 1 MM MAIN P.C.B. `G' TO `G'	1

MODEL NO: CT-M341MKII

SYSTEM: PAL/BG/AVIN M.GRAY{8403C} 240V SAA 47P

<u>PART NUMBER</u>	<u>DESCRIPTION</u>	<u>QTY.</u>
172-626014-43	UL 1007 TOP COAT WIRE AWG 26 140MM ORANGE 10 X 10 MAIN P.C.B. `A' TO `A' MM	1
172-626018-43	UL 1007 TOP COAT WIRE AWG 26 180MM ORANGE 10 X 10 MAIN P.C.B. `B' TO `B', `K' TO `K' MM	2
172-626036-43	UL 1007 TOP COAT WIRE AWG 26 360MM ORANGE 10 X CN402 `3' TO CRT P.C.B. `J' 10MM	1
172-626036-44	UL 1007 TOP COAT WIRE AWG 26 360MM YELLOW 10 X CN402 `1' TO CRT PCB `K' 10MM	1
172-726000-99	BARE WIRE 54MM W093,101-102,105-112,116,118-148,151-152,R148,R452	5
172-726000-99	BARE WIRE 54MM W154-157,159-171,174,176-186,189,191-192,114	0
172-726000-99	BARE WIRE 54MM W199-201,203-204,206-209,215-216,218,502,503	0
172-726000-99	BARE WIRE 54MM W086,088-090,092,195-197,822	0
172-830080-99	FLAT BRIDED WIRE 1200MM FOR CRT GND	0
173-633022-50	SINGLE SHIELD WIRE L=220MM `T' TO `T', `U' TO `U' (GND)	1
179-001010-00	OIL SLEEVING 1 mm DIA. BR901,D904,404,C440,442,R911-914,411,413,C424,C422	0
179-001010-00	OIL SLEEVING 1 mm DIA. 20MM FOR R918,919,R416,417,D407,20MM FOR L402	0
179-105000-00	UL PVC TUBE 5mm DIA 120MM FOR AC LINE CORD,120MM FOR (F)(G) WIRE	0
179-107300-00	UL PVC TUBE 7.3MM DIA. 220MM FOR `F', `G'	0
179-110500-00	UL PVC TUBE 11MM DIA. 60MM-AC LINE CORD	0
179-403080-00	SHRINKABLE TUBE FOR SOLDERING LUG	0
179-405030-00	5 mm DIA SHRINKABLE TUBE L=120MM 60MM FOR AC LINE CORD,60MM FOR (F)(G) WIRE	0
182-222000-03	FUSE T2A 250V F901	1
190-881309-00	CRT P.C.B. (250294)	1
190-931301-07	SENSOR P.C.B. (191194)	1
190-93135L-XB	MAIN P.C.B. (270498)	1
191-100030-09	1 PIN SOCKET ASSM'Y L=300MM FOR CN501	1
191-101016-07	1 PIN DOUBLE INSOLATION WIRE AWG 18 L=340MM BLUE CN903 TO `F'	1
191-101017-07	1 PIN DOUBLE INSOLATION WIRE AWG 18 L=340MM BROWN CN901 TO `G'	1
191-901000-07	9 PIN SOCKET ASS'Y L=360MM CN301 TO CRT PCB `1' TO `A', `2' TO `B', `3' TO `C'	1
191-901000-07	9 PIN SOCKET ASS'Y L=360MM `4' TO `D', `5' TO `E', `6' TO `F', `7' TO `G'	0

**MODEL NO: CT-M341MKII**

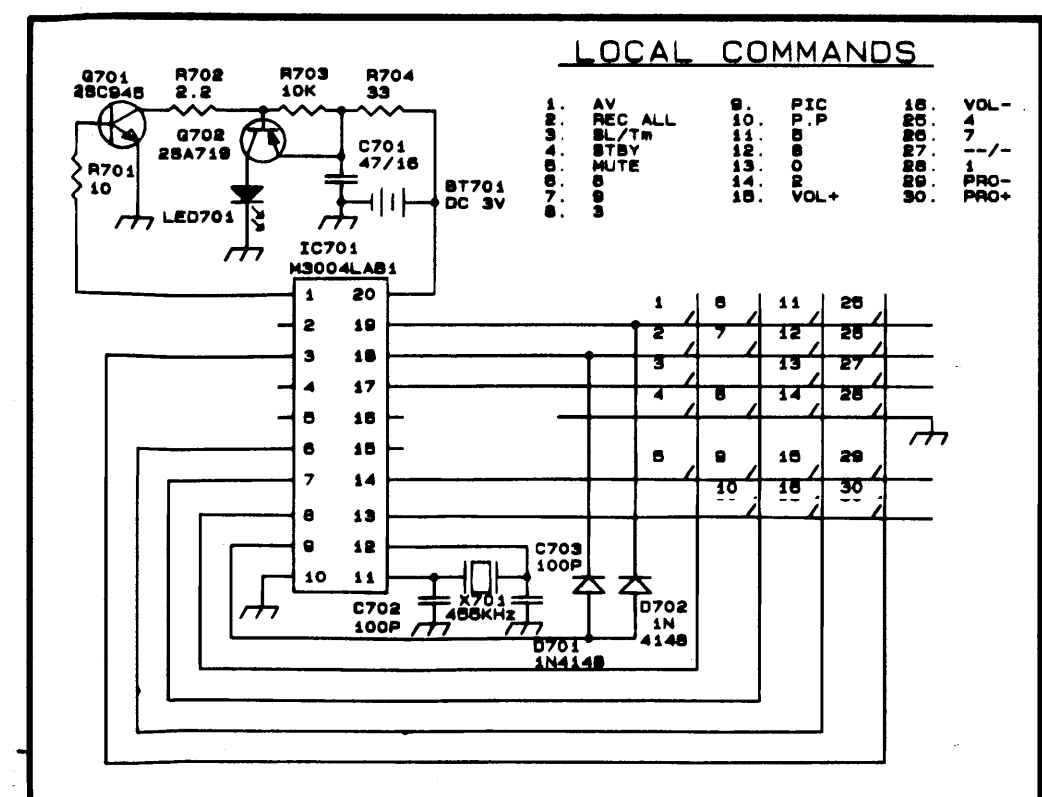
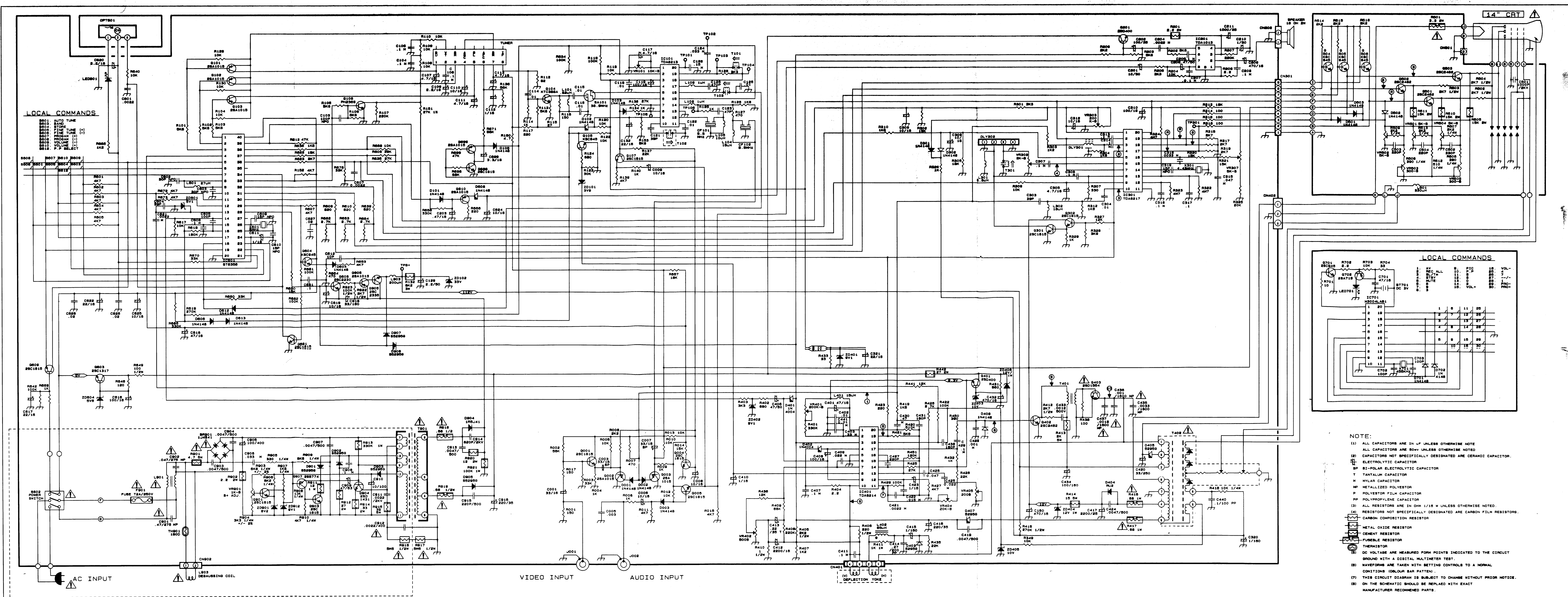
**SYSTEM: PAL/BG/AVIN M.GRAY{8403C} 240V SAA 47P**

<u>PART NUMBER</u>	<u>DESCRIPTION</u>	<u>QTY.</u>
191-901000-07	9 PIN SOCKET ASS'Y L=360MM `8' TO `H', `9' TO `I'	0
514-400425-10	SELF-TAPPING SCREW 4 X 25 B/T (HARDEN) REAR CAB.TO FRONT CAB.	6
514-500435-10	SELF-TAPPING SCREW B/T 5 X 35 HEAD DIA. =8.5MM 4 FOR CRT MTG. (MAX)(HARDEN)	4
515-303408-10	SELF-TAPPING SCREW 3 X 8 W/B/T (HARDEN) FOR SPK. WIRE	1
517-303312-10	SELF-TAPPING SCREW 3 X 12 W/A W/H=7MM (HARDEN) FOR HEAT SINK (A) & (B)	2
540-020030-01	EYELET 2 X 3 MM	13
540-020030-01	2-L402,2-R411,2-R413,4-L901,2-T402 PIN `1' `2', EYELET 2 X 3 MM 1-Q403 `C'	0
540-020040-01	BRASS EYELET 2X4MM 3 FOR CN402	3
580-101004-00	STAND OFF TWIST TIE #ST-3 FOR CN903,CN901	1
580-101261-01	CABLE TIE L=100MM	10
580-101261-01	4- CRT PCB, 2- FLYBACK, 2- DY, 2- MAIN WIRE CABLE TIE L=100MM	3
622-882802-00	3- POWER SWITCH FELT L240 X W17 X T0.5MM W/TAPE FOR REAR CABINET	4
728-931302-00	SENSOR P.C.B. SUPPORT FOR SENSON PCB	2
744-881301-00	SPRING FOR C.R.T. MOUNTING 5.2 X 42 X 0.6MM	1
746-063101-00	TEST PIN:TOTAL LENGTH 18.6mm THK:0.8mm TP103,104	2
746-063101-01	AC LINE CORD PIN FOR AC LINE CORD -2,(F)(G) WIRE -2	4
750-063101-00	SOLDERING LUG LEG:8X4MM FOR HEAT SINK (A) & (B)	2
750-063102-01	35MM SOLDERING LUG OD:7 ID:3.2 LEG:4X35MM FOR SPK. CONNECTOR	1
766-686801-00	FUSE HOLDER FOR F901	2
777-881301-00	SPRING IN 10 X L12 FOR POWER KNOB	1
780-931301-00	BRASS HEAT SINK FOR IC401	1
781-882001-02	ALUMINIUM HEAT SINK (B) FOR Q403	1
781-882102-05	ALUMIMIUM HEAT SINK (A) FOR Q904	1
783-931301-01	SHIELD CAN	1
783-931302-02	SHIELD CAN COVER	1
834-230802-00	RUBBER WASHER OD=23, ID=8, T=2 FOR CRT MTG.	4
840-011024-21	PAD CORD L240 X W10 X T1 MM W/TAPE BETWEEN CRT AND CRT SURFACE	4

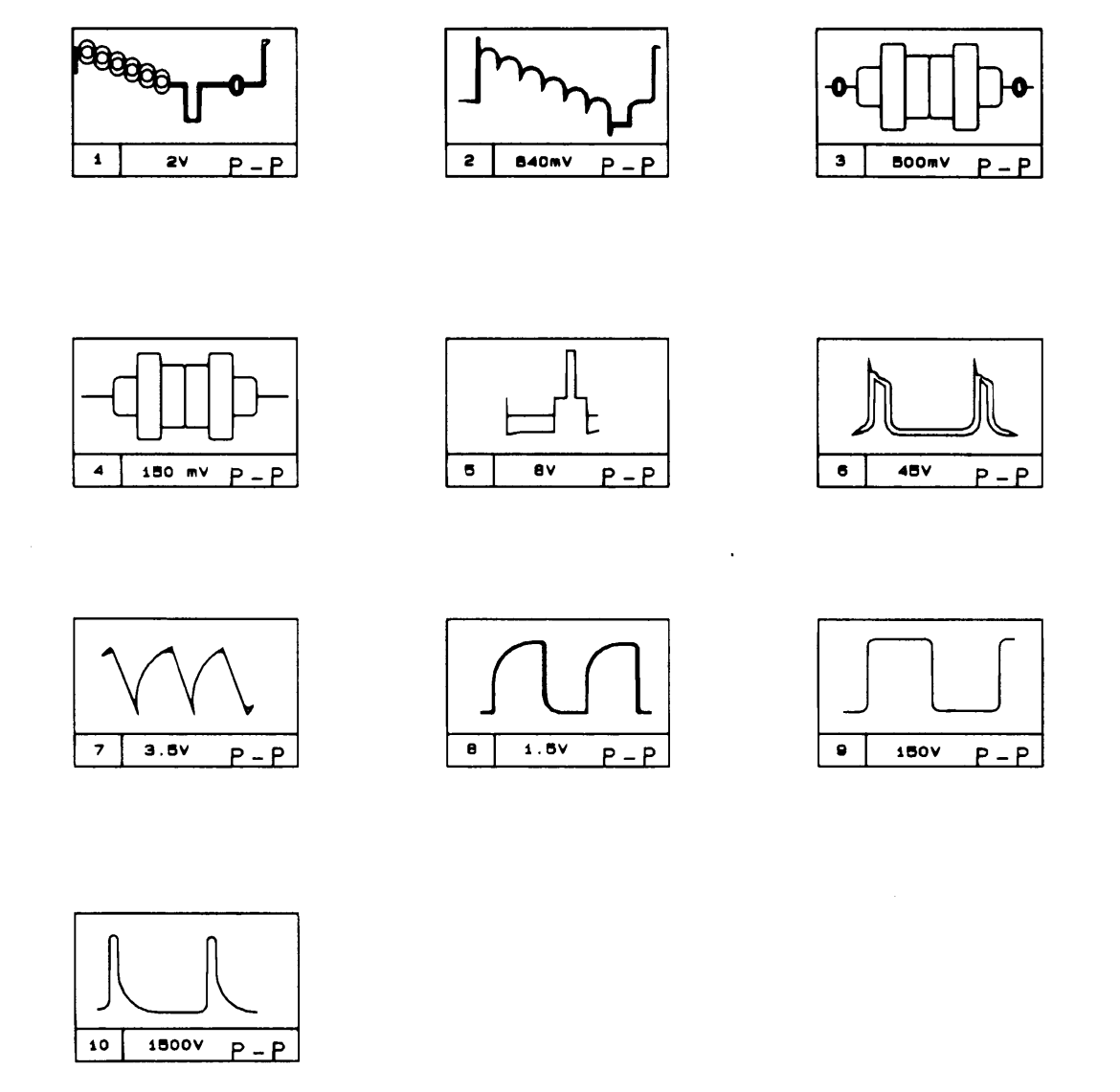
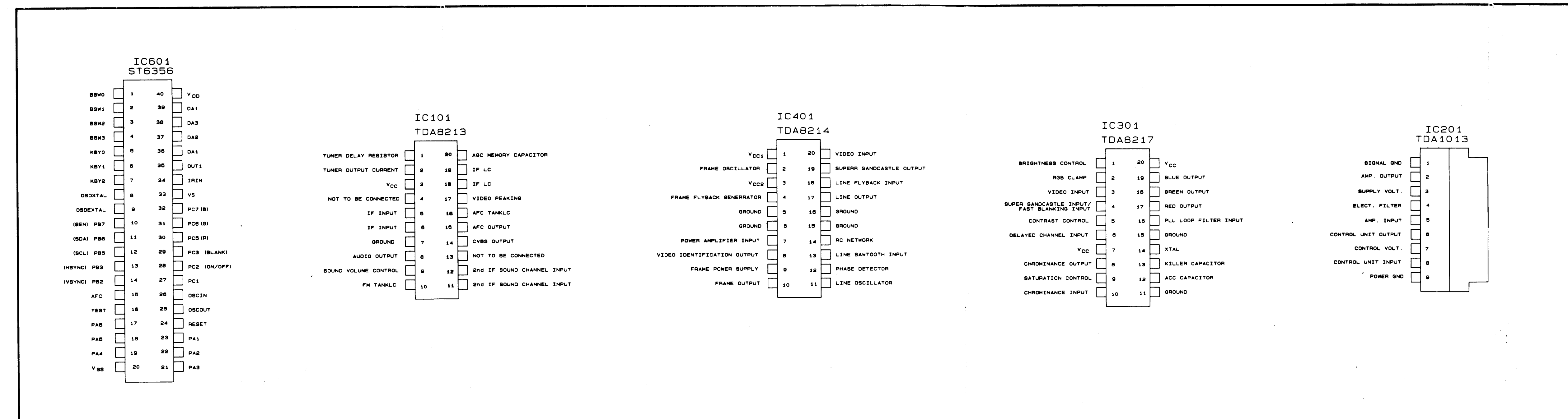
**MODEL NO: CT-M341MKII**

**SYSTEM: PAL/BG/AVIN M.GRAY{8403C} 240V SAA 47P**

<u>PART NUMBER</u>	<u>DESCRIPTION</u>	<u>QTY.</u>
840-051020-11	RUBBER PAD (UL 94VO) 1-T901, 2-T402, 1-BETWEEN FBT & HEAT SINK	5
840-051020-11	RUBBER PAD (UL 94VO) 1 - BETWEEN HEAT SINK A.B.	0
929-931302-00	LED HOLDER BLACK ABS FOR LED601	1
939-942101-00	POWER KNOB ADAPTOR	1
948-881302-00	DEGAUSSING COIL MTG. CLIP FOR POWER SW.	4
954-882804-00	HIGH VOLTAGE CABLE SPACER FOR CRT	1
954-931301-00	STUD POST BLACK ABS FOR FRONT CAB.	4



- NOTE:**
- (1) ALL CAPACITORS ARE IN  $\mu$ F UNLESS OTHERWISE NOTED
  - (2) ALL CAPACITORS ARE 50V UNLESS OTHERWISE NOTED
  - (3) CAPACITORS NOT SPECIFICALLY DESIGNATED ARE CERAMIC CAPACITOR.
  - (4) ELECTROLYTIC CAPACITOR
  - (5) 50-POLAR ELECTROLYTIC CAPACITOR
  - (6) TANTALUM CAPACITOR
  - (7) MYLAR CAPACITOR
  - (8) METALLIZED POLYESTER
  - (9) POLYESTER FILM CAPACITOR
  - (10) POLYPROPYLENE CAPACITOR
  - (11) ALL RESISTORS ARE IN OHM  $1/16$  W UNLESS OTHERWISE NOTED.
  - (12) RESISTORS NOT SPECIFICALLY DESIGNATED ARE CARBON FILM RESISTORS.
  - (13) CARBON COMPOSITION RESISTOR
  - (14) METAL OXIDE RESISTOR
  - (15) CEMENT RESISTOR
  - (16) FUSIBLE RESISTOR
  - (17) THERMISTOR
  - (18) DC VOLTAGE ARE MEASURED FROM POINTS INDICATED TO THE CIRCUIT BOARD WITH A DIGITAL MULTIMETER TEST.
  - (19) WAVEFORMS ARE TAKEN WITH SETTING CONTROLS TO A NORMAL CONDITION (UNLESS SHOWN OTHERWISE).
  - (20) THIS CIRCUIT DIAGRAM IS SUBJECT TO CHANGE WITHOUT PRIOR NOTICE.
  - (21) ON THE SCHEMATIC SHOULD BE REPLACED WITH EXACT MANUFACTURER RECOMMENDED PARTS.



**CTM341 MKII**

SAFETY CRITICAL DEVICE  
 JET-TECH VIDEO ENGINEERING LTD.  
 MAIN OFFICE: 200, BUCKINGHAM PALACE ROAD, WINDYBARN, LEICESTERSHIRE, LE19 1QJ  
 TELEPHONE: 0533 711111  
 FAX: 0533 711111  
 BIRMINGHAM OFFICE: 100, BRISTOL ROAD, BIRMINGHAM, B2 4JG  
 TELEPHONE: 021 711 1111  
 FAX: 021 711 1111